


META Core™
by *WillowWood*

Go beyond.
Go META.



PDAC
APPROVED 



Simplicity means efficiency. Perfected fundamentals.

The META Core delivers natural roll-over and greater support for K3-K4 users. With a low-build height and weight, the enhanced META-Unibody® plate design maximizes energy return and provides increased foot flexibility.



META UNIBODY™ PLATFORM.

Industry-first, boltless, unibody carbon fiber design combines lightweight with high-energy return in an attractive, durable prosthetic.

MAXIMAL ENERGY RETURN, MINIMAL BUILD HEIGHT.

The carbon fiber design offers the optimal combination of low build height with 97% energy return delivering flexibility and ensuring a smooth rollover.

DESIGNED FOR SUPPORT.

The META Core is designed to deliver higher support in late stance and ensure maximal stability, deliver increased flexibility and ease the transition between gait phases.

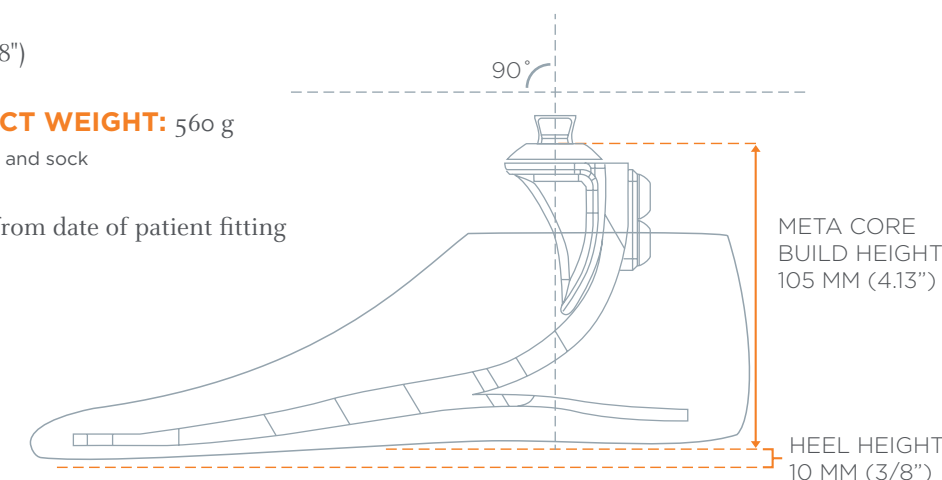
META CORE FOOT: SPECIFICATIONS

HEEL HEIGHT: 10 mm (3/8")

APPROXIMATE PRODUCT WEIGHT: 560 g

*Std. Size 26 Cat. 5 with foot shell and sock

TRIAL PERIOD: 60 days from date of patient fitting



META CORE FOOT CATEGORY CHART

Adjusted User Weight (patient body weight + loads carried)	Low Impact Level		Medium Impact Level		High Impact Level	
	Sizes 22-24 cm	Sizes 25-30 cm	Sizes 22-24 cm	Sizes 25-30 cm	Sizes 22-24 cm	Sizes 25-30 cm
99-115 lbs (45-51 kg)	1	1	1	1	2	2
116-130 lbs (52-58 kg)	1	1	2	2	3	3
131-150 lbs (59-67 kg)	2	2	3	3	4	4
151-170 lbs (68-76 kg)	3	3	4	4	5	5
171-194 lbs (77-87 kg)	4	4	5	5	-	6
195-221 lbs (88-99 kg)	5	5	-	6	-	7
222-256 lbs (100-115 kg)	-	6	-	7	-	8
257-287 lbs (116-130 kg)	-	7	-	8	-	9
288-324 lbs (131-147 kg)	-	8	-	9	-	-
325-365 lbs (148-165 kg)	-	9	-	-	-	-

HOW TO ORDER

META Core Foot with Spectra Sock

Ordering example:
META Core Foot, 25 cm, left foot, toe resistance 2

M001 - 25L - 02

Sandal Toe Foot Shell

Ordering example:
Sandal Toe Foot Shell, 25 cm, left foot, buff

FS01 - 25LB

Model	Size of Foot	Foot	Toe Resistance	Size of Foot	Foot	Color
M001 = META Core Foot	22-30 cm	L = left R = right	01-09 (Refer to the Category Chart)	22-30 cm	L = left R = right	B = Buff T = Tan M = Medium Brown



The META Lineup

All META feet feature the groundbreaking META-Unibody® design that combines dynamic response with lightweight, hardware-free design suitable for K3-K4 users. The design delivers a smooth roll-over experience and delivers support in mid-terminal stance enhancing stability without compromising function.



META Core

Smooth rollover and late-stance support for K3-K4 users low-build height and weight.

PDAC APPROVED:
L5981



META Arc

Biomimetic ankle offers stability and adaptation to terrain. 20° of inversion & eversion.

PDAC APPROVED:
L5981 + L5986



META Shock

Adaptive shock absorption via integrated shock module 13 mm of vertical displacement.

PDAC APPROVED:
L5987



META Shock X

Adaptive shock absorption and impact protection via 40° of torsional rotation + 13 mm vertical displacement.

PDAC APPROVED:
L5987 + L5984



Fiberglass META Shock X

Adaptive shock absorption and impact protection via 40° of torsional rotation + 13 mm vertical displacement with a fiberglass unibody platform.

PDAC APPROVED:
L5987 + L5984

**FOR MORE INFORMATION
CALL 800.848.4930 OR 740.869.3377
OR VISIT WILLOWOOD.COM**

